

Statesman Tech Bulletin TB11

Date Issued: August 25, 2005

Product Affected: Statesman Product Line

Problem: 4 megabyte permutation chips were too small to hold all of the paper choices.

Solution: Software was rewritten to accommodate an 8 megabyte permutation chip.

New Software Revisions: CS 5.0 / CSR 5.0 or DS 5.0 / DSR 5.0
CL 3.0 / CLR 3.0 or VS 3.0 / VSR 3.0

Changes Made to CS & DS versions:

- 1) Changed rev. to CS 5.0 / CSR 5.0 or DS 5.0 / DSR 5.0 on title screen.
- 2) Added the ability to verify:
 - Dual Dab (1 to 9000)
 - Basic Paper (1 – 19,096 & 20,001 – 29,096 & 30,001 – 39,036 & 40,001 – 49,036)
 - Jackpot (up to 18,000)
- 3) Added Auto Search to all standard versions.
- 4) Added the ability to set default series to something other than standard.
- 5) See page 2 for part numbers.

Changes Made to CL & VS versions:

- 1) Changed rev. to CL 3.0 / CLR 3.0 or VS 3.0 / VSR 3.0 on title screen.
- 2) Added the ability to verify:
 - Dual Dab (1 to 9000)
 - Basic Paper (1 – 19,096 & 20,001 – 29,096 & 30,001 – 39,036 & 40,001 – 49,036)
 - Jackpot (up to 18,000)
- 3) Added Auto Search to all standard versions.
- 4) Added the ability to set default series to something other than standard.
- 5) See page 2 for part numbers.

New part numbers for 8 Meg. Perms, New PGM. IC's and new Kits.

8 Meg. Perms

4690150	IC PGM. Perm Dev. #0 Rev. 1.0, 8 Meg.	Replaces 469015 Dev. #0 Rev. 1.0, 4 Meg.
4690160	IC PGM. Perm Dev. #1 Rev. 1.0, 8 Meg.	Replaces 469016 Dev. #1 Rev. 5.0, 4 Meg.
4690170	IC PGM. Perm Dev. #2 Rev. 1.0, 8 Meg.	Replaces 469017 Dev. #2 Rev. 4.0, 4 Meg.

4 Meg. Perm

469019	IC PGM. Perm Dev. #3 Rev. 1.0, 4 Meg.	Replaces 469018 Dev. #3 Rev. 3.0, 4 Meg.
--------	---------------------------------------	--

New PGM. IC's for Rev B Pcb's

4690130	IC PGM. Sts. Color Rev B, CL 3.0	Replaces 469011 CL 2.6
4690131	IC PGM. Sts. Color Rev B, RNG CLR 3.0	Replaces 4690110 CLR 2.6
4690132	IC PGM. Sts. Video Rev B, VS 3.0	Replaces 469012 VS 2.6
4690133	IC PGM. Sts. Video Rev B, RNG VSR 3.0	Replaces 4690120 VSR 2.6

New PGM. IC's for Rev C Pcb's

4690115	IC PGM. Sts. Color Rev C, CS 5.0	Replaces 4690112 CS 4.6
4690116	IC PGM. Sts. Color Rev C, RNG CSR 5.0	Replaces 4690113 CSR 4.6
4690125	IC PGM. Sts. Video Rev C, DS 5.0	Replaces 4690122 DS 4.6
4690126	IC PGM. Sts. Video Rev C, RNG DSR 5.0	Replaces 4690123 DSR 4.6

New Kits

465060	Upgrade Kit Sts. Color Rev. B 8 Meg.	Replaces 465045 Color St Rev. B 4 Meg.
465061	Upgrade Kit Sts. Video Rev. B 8 Meg.	Replaces 465048 Video St Rev. B 4 Meg.
465062	Upgrade Kit Sts. Color Rev. C 8 Meg.	Replaces 465055 Color St Rev. C 4 Meg.
465063	Upgrade Kit Sts. Video Rev. C 8 Meg.	Replaces 465058 Video St Rev. C 4 Meg.

Paper Series Available in new software:

Std. Series	1- 99,036 (Capital and Unimax series)
Dab All	1-36,000
Mini 75	1-24,000
Dual Dab	1-9,000
Basic	1-19,096 & 20,001-29,096 & 30,001-39,036 & 40,001-49,036
Jackpot	1-18,000

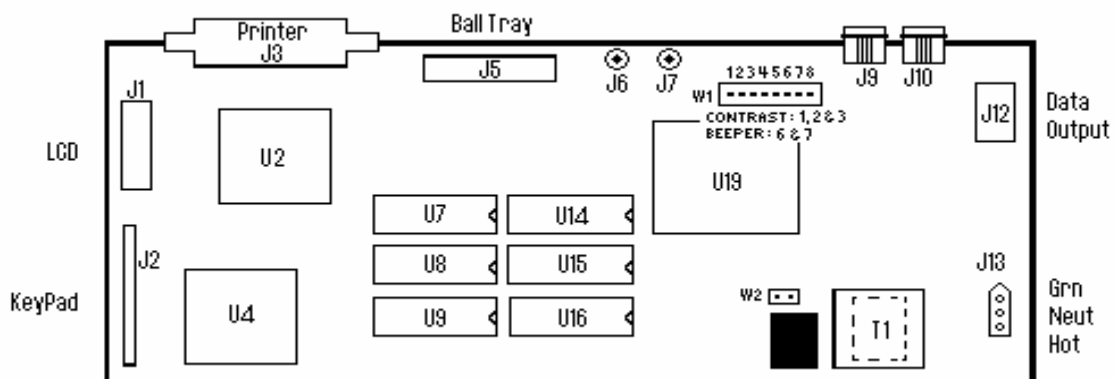
UPDATING COLOR STATESMAN REV "B" PCB

465060

CAUTION: BEFORE ATTEMPTING ANY SERVICE ON YOUR STATESMAN FAMILY PRODUCT, UNPLUG SYSTEM FROM OUTLET.

DO NOT ATTEMPT THIS UPGRADE CLOSER THAN FOUR HOURS TO THE START OF BINGO.

1. Clear memory (Special - Clear - W - 2 - 4 - 6 - 4 - 6).
2. Remove the five Phillips screws from the control panel & lay the control panel forward placing paper under the two corners to prevent scratching.
3. Remove cable J5 to allow clear visibility.
4. Using a small jewelers screwdriver or pocket knife carefully remove the IC labeled 469011 or 4690110 from U7.
5. Carefully insert the new chip labeled 4690130 CL3.0 or 4690131 CLR3.0 into U7 making sure the notch and open holes are towards the transformer. Be Careful NOT to bend the pins.
6. Using a small jewelers screwdriver or pocket knife carefully remove the IC labeled 469015 from U8. Insert chip labeled 4690150 REV 1.0 into U8 making sure the notch is toward the transformer and none of the pins are bent.
7. Using a small jewelers screwdriver or pocket knife carefully remove the IC labeled 469016 from U15. Insert chip labeled 4690160 REV1.0 into U15 making sure the notch is toward the transformer and none of the pins are bent.
8. Using a small jewelers screwdriver or pocket knife carefully remove the IC labeled 469017 from U9. Insert chip labeled 4690170 REV 1.0 into U9 making sure the notch is toward the transformer and none of the pins are bent.
9. Using a small jewelers screwdriver or pocket knife carefully remove the IC labeled 469018 from U16. Insert chip labeled 469019 REV 1.0 into U16 making sure the notch is toward the transformer and none of the pins are bent.
10. Reconnect the cable at J5.
11. Reinstall the control panel and replace the 5 screws you took out of the unit.
12. Clear memory (Special - Clear - W - 2 - 4 - 6 - 4 - 6).
13. Test the system.
14. Reprogram the system if necessary.



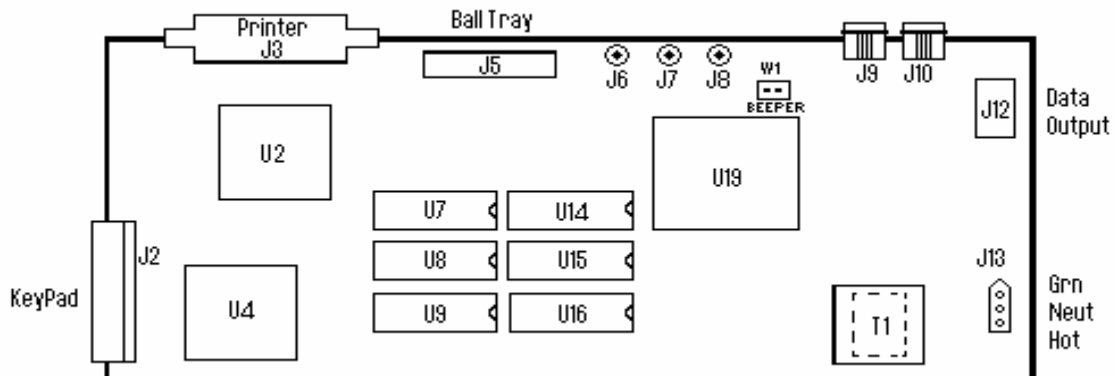
UPDATING DESIGNER STATESMAN REV "B" PCB

465061

CAUTION: BEFORE ATTEMPTING ANY SERVICE ON YOUR STATESMAN FAMILY PRODUCT, UNPLUG SYSTEM FROM OUTLET.

DO NOT ATTEMPT THIS UPGRADE CLOSER THAN FOUR HOURS TO THE START OF BINGO.

1. Clear memory (Special - Clear - W - 2 - 4 - 6 - 4 - 6).
2. Open left-hand cabinet doors, remove the wing nut from the top of the I/O box and swing out to allow greater visibility.
3. Remove the six Phillips screws securing the cover of the I/O box.
4. Remove cable J5 to allow clear visibility.
5. Using a small jewelers screwdriver or pocket knife carefully remove the IC labeled 469012 or 4690120 from U7.
6. Carefully insert the new chip labeled 4690132 VS3.0 or 4690133 VSR3.0 into U7 making sure the notch and open holes are towards the transformer. Be Careful NOT to bend the pins.
7. Using a small jewelers screwdriver or pocket knife carefully remove the IC labeled 469015 from U8. Insert chip labeled 4690150 REV 1.0 into U8 making sure the notch is toward the transformer and none of the pins are bent.
8. Using a small jewelers screwdriver or pocket knife carefully remove the IC labeled 469016 from U15. Insert chip labeled 4690160 REV1.0 into U15 making sure the notch is toward the transformer and none of the pins are bent.
9. Using a small jewelers screwdriver or pocket knife carefully remove the IC labeled 469017 from U9. Insert chip labeled 4690170 REV 1.0 into U9 making sure the notch is toward the transformer and none of the pins are bent.
10. Using a small jewelers screwdriver or pocket knife carefully remove the IC labeled 469018 from U16. Insert chip labeled 469019 REV 1.0 into U16 making sure the notch is toward the transformer and none of the pins are bent.
11. Reconnect the cable at J5.
12. Reinstall the cover on the I/O box and replace the 6 screws you took off in step 4.
13. Clear memory (Special - Clear - W - 2 - 4 - 6 - 4 - 6).
14. Test the system.
15. Reprogram the system if necessary.

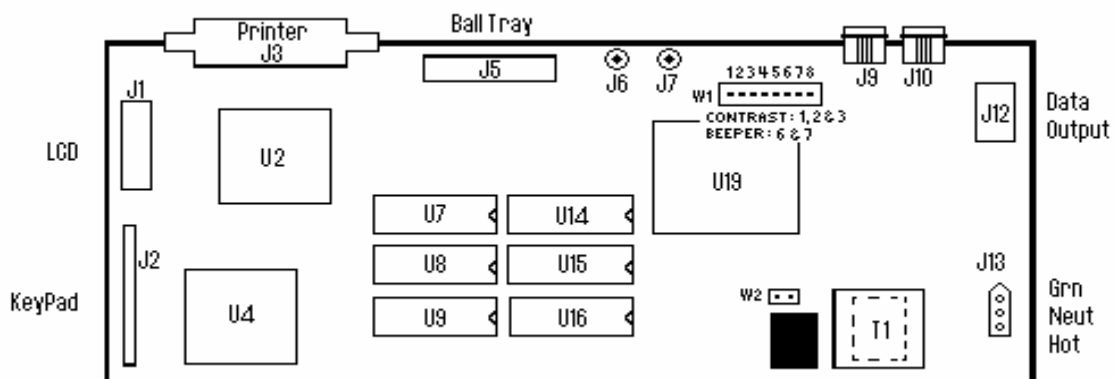


UPDATING COLOR STATESMAN REV "C" PCB

465062

**CAUTION: BEFORE ATTEMPTING ANY SERVICE ON YOUR STATESMAN FAMILY PRODUCT, UNPLUG SYSTEM FROM OUTLET.
DO NOT ATTEMPT THIS UPGRADE CLOSER THAN FOUR HOURS TO THE START OF BINGO.**

1. Clear memory (Special - Clear - W - 2 - 4 - 6 - 4 - 6).
2. Remove the five Phillips screws from the control panel & lay the control panel forward placing paper under the two corners to prevent scratching.
3. Remove cable J5 to allow clear visibility.
4. Using a small jewelers screwdriver or pocket knife carefully remove the IC labeled 4690112 or 4690113 from U7.
5. Carefully insert the new chip labeled 4690115 CS5.0 or 4690116 CSR5.0 into U7 making sure the notch and open holes are towards the transformer. Be Careful NOT to bend the pins.
6. Using a small jewelers screwdriver or pocket knife carefully remove the IC labeled 469015 from U8. Insert chip labeled 4690150 REV 1.0 into U8 making sure the notch is toward the transformer and none of the pins are bent.
7. Using a small jewelers screwdriver or pocket knife carefully remove the IC labeled 469016 from U15. Insert chip labeled 4690160 REV1.0 into U15 making sure the notch is toward the transformer and none of the pins are bent.
8. Using a small jewelers screwdriver or pocket knife carefully remove the IC labeled 469017 from U9. Insert chip labeled 4690170 REV 1.0 into U9 making sure the notch is toward the transformer and none of the pins are bent.
9. Using a small jewelers screwdriver or pocket knife carefully remove the IC labeled 469018 from U16. Insert chip labeled 469019 REV 1.0 into U16 making sure the notch is toward the transformer and none of the pins are bent.
10. Reconnect the cable at J5.
11. Reinstall the control panel and replace the 5 screws you took out of the unit.
12. Clear memory (Special - Clear - W - 2 - 4 - 6 - 4 - 6).
13. Test the system.
14. Reprogram the system if necessary.



CAUTION: BEFORE ATTEMPTING ANY SERVICE ON YOUR STATESMAN FAMILY PRODUCT, UNPLUG SYSTEM FROM OUTLET.

DO NOT ATTEMPT THIS UPGRADE CLOSER THAN FOUR HOURS TO THE START OF BINGO.

1. Clear memory (Special - Clear - W - 2 - 4 - 6 - 4 - 6).
2. Open left-hand cabinet doors, remove the wing nut from the top of the I/O box and swing out to allow greater visibility.
3. Remove the six Phillips screws securing the cover of the I/O box.
4. Remove cable J5 to allow clear visibility.
5. Using a small jewelers screwdriver or pocket knife carefully remove the IC labeled 4690122 or 4690123 from U7.
6. Carefully insert the new chip labeled 4690125 DS5.0 or 4690126 DSR5.0 into U7 making sure the notch and open holes are towards the transformer. Be Careful NOT to bend the pins.
7. Using a small jewelers screwdriver or pocket knife carefully remove the IC labeled 469015 from U8. Insert chip labeled 4690150 REV 1.0 into U8 making sure the notch is toward the transformer and none of the pins are bent.
8. Using a small jewelers screwdriver or pocket knife carefully remove the IC labeled 469016 from U15. Insert chip labeled 4690160 REV1.0 into U15 making sure the notch is toward the transformer and none of the pins are bent.
9. Using a small jewelers screwdriver or pocket knife carefully remove the IC labeled 469017 from U9. Insert chip labeled 4690170 REV 1.0 into U9 making sure the notch is toward the transformer and none of the pins are bent.
10. Using a small jewelers screwdriver or pocket knife carefully remove the IC labeled 469018 from U16. Insert chip labeled 469019 REV 1.0 into U16 making sure the notch is toward the transformer and none of the pins are bent.
11. Reconnect the cable at J5.
12. Reinstall the cover on the I/O box and replace the 6 screws you took off in step 4.
13. Clear memory (Special - Clear - W - 2 - 4 - 6 - 4 - 6).
14. Test the system.
15. Reprogram the system if necessary.

